

Installation/Operating Instructions

LUMA 2 Spring Roller Operated Projection Screen by Draper

Before You Begin

- 1 Read and understand these instructions; keep them for future reference.
- 2 Care in both mounting and correct operation will mean long and satisfactory service from your Draper screen.
- 3 Locate the screen where the audience can best see it, and where other room furnishings permit.
- 4 Mount the screen so that the bottom of the picture, when screen is fully extended, will be above the heads of viewers.

Installation

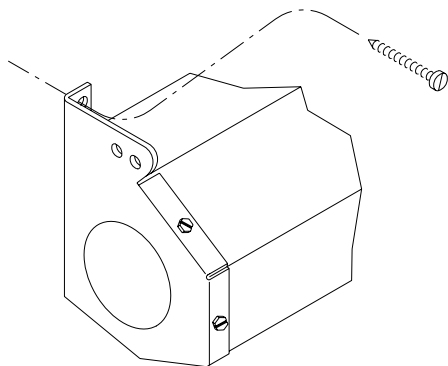
Your Draper screen can be mounted on a wall or suspended from the ceiling or extension brackets. It must be mounted level and with the flat back parallel to the wall.

The screen (or extension brackets) should be mounted into studs or blocking in the wall/ceiling, or in drywall (minimum thickness $\frac{1}{2}$ ") with specified anchors. For any other type of installation, follow all local building and safety codes.

Steel studs, concrete or cinder block walls and all other types of non-wood frame construction require the use of special screws or anchors.

The selection of appropriate mounting hardware should be made by a qualified professional installer.

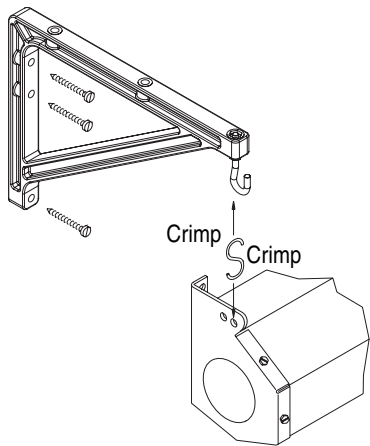
Wall Mounting (Hardware not included)



Use the holes at the back of the mounting bracket for flush wall mounting.

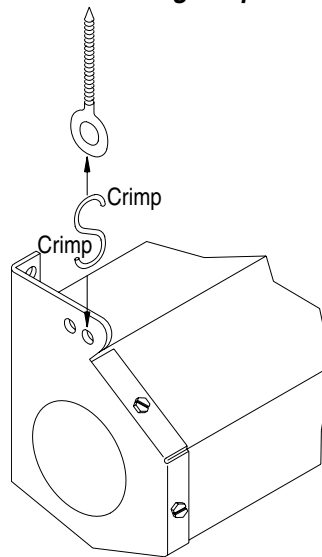
Recommended hardware: For mounting into wood or wall stud, use #10 x $1\frac{1}{4}$ " wood screws; for mounting into drywall (minimum $\frac{1}{2}$ " thick), use $\frac{3}{16}$ " toggle bolts or $\frac{3}{16}$ " molly bolts.

Extension Brackets (Optional Equipment)



Wall mount the brackets (not included with screen) using hardware recommended for "Wall Mounting" (at right). Then, suspend the screen from the front holes with "S" hooks (as in "Ceiling Suspended"). For added safety, crimp both ends of the "S" hooks so the screen cannot come off.

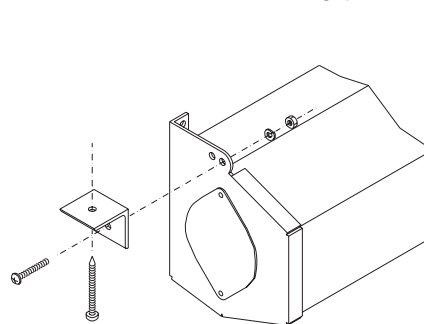
Ceiling Suspended (Hardware not included)



Use the holes at the front of the mounting bracket for suspended mounting. Position and properly anchor screw eyes or other fasteners (not included) into ceiling joists or other solid surface. Suspend "S" hooks (not included) from fasteners and hook through holes in the front of the mounting bracket. For added safety, crimp both ends of the "S" hooks so the screen cannot come off.

Recommended hardware: For mounting into wood or ceiling joist, use two $\frac{3}{16}$ " x $1\frac{1}{4}$ " screw eyes and $\frac{3}{16}$ " diameter "S" hooks; for mounting into drywall (minimum $\frac{1}{2}$ " thick), use $\frac{3}{16}$ " toggle or molly bolts with $\frac{3}{16}$ " "S" hooks.

Recessed Mounting (Hardware not included)



Use the holes at the front of the mounting bracket for recessed mounting flush with the ceiling. Attach angle (not included) to screen then position and properly anchor screw fasteners (not included) into ceiling joists or other solid surface.

Recommended hardware: For mounting into wood or ceiling joist, use $\frac{3}{16}$ " bolts.

Please Note: An optional Ceiling Trim Kit is available for use when recessing the Luma 2. The Ceiling Trim Kit trims out the ceiling opening and attaches to screen end caps. Painted white to match ceiling. The slot includes a finished flange to accept acoustical ceiling tile or grid. For installation information, see separate instructions provided with Ceiling Trim Kit.

Operating Instructions—Standard

To lower picture surface, pull screen down. *Hesitate*—then allow screen to retract *very slowly* until it locks in place.

To raise picture surface, pull screen down and, while holding, allow for slow retraction into the case to reduce risk of injury from falling screen.

Please Note: If the surface stops between the full up or full down positions, it will not retract completely back into the case. Please lower the surface to the full down position and then let it retract all the way back into the case without stopping or slowing it down.

Operating Instructions—AutoReturn

To lower picture surface, pull screen down. *Hesitate*—then allow screen to retract *very slowly* until it locks in place.

To raise picture surface, pull screen down gently until it stops, then release.

Viewing Surface Care & Maintenance

Matt White & High Contrast Grey

Clean surface with a solution of mild dishwashing liquid diluted with warm water. Sponge the surface, rinse with clear water and blot dry. Do not use cleaning solvents or abrasives.

Glass Beaded

Clean with a very soft brush or cloth and carefully dust the surface. **DO NOT USE SOAP, WATER, SOLVENTS OR ABRASIVES.** These substances will damage a glass beaded viewing surface.

If you encounter any difficulties installing or servicing your screen, call your dealer or Draper, Inc., Spiceland, Indiana, (765) 987-7999 or fax (765) 987-7142.

DRAPER®

411 S. Pearl St., Spiceland, IN 47385 USA ■ 765-987-7999

www.draperinc.com ■ fax 765-987-7142

Copyright © 2008 Draper Inc.

Form Luma2_Inst08

Printed in U.S.A.