

## Technical data

Power Supply	12V alkaline battery, type E23, enclosed
Lifetime, battery	2-3 years
Frequency	433,92 MHz
No. of unique identities	2 <sup>24</sup>
Automatic limitation of transmission	25 sec
Operating temperature	-20 to +55 °C
Colour	Black

## Range

The main factor that may influence the coverage of the system is presence of metal elements near the devices (the transmission is done by means of a radio signal). Within free areas, the coverage is 30 - 50 m; inside buildings the coverage is 15 - 30 m, depending on wall thickness and amount of iron elements in the construction.

## Installation

The plastic holder is mounted using screws or double-sided adhesive tape.

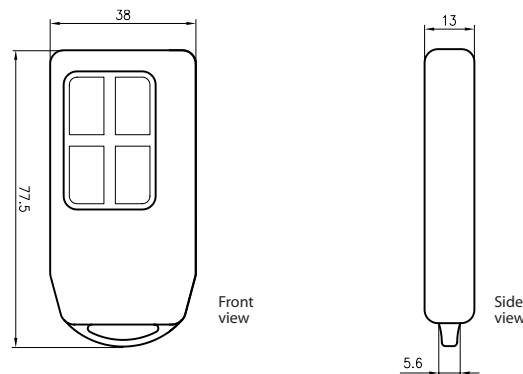
## Included in

The Remote Control is included in Commander Control System Kit 1.

The Remote Control Transmitter is used together with one or multiple receivers within the product range of Commander Control Systems. Under each button there is a micro-switch and when pushing a button, a coded signal (RF) is sent to the receiver(s) that are programmed to respond to that specific code. Each transmitter has a unique identification code and the transmitted code also includes information about which micro-switch/button that has been pressed. The transmitter is powered by a 12V alkaline battery and it is delivered together with a plastic holder to put it in when not using it.



## Dimensions, Remote Control



## Dimensions, Holder

