

# Installation/Operating Instructions

## 220V Access Electric Projection Screen by Draper

These Installation/Operating Instructions are available in the official language of the country where you purchase the product. Please contact your distributor to request a copy.

Vous pourriez demander les instructions d'installation et d'opération traduites dans la langue officielle du pays où vous achetez le produit. Veuillez demander à votre distributeur.

Die Gebrauchsanweisung für Installation und Konstruktion sind in der offiziellen Sprache des Landes, indem Sie das Produkt gekauft haben, vorhanden. Fragen Sie die jeweilige Verkaufs-Abteilung.

### Caution

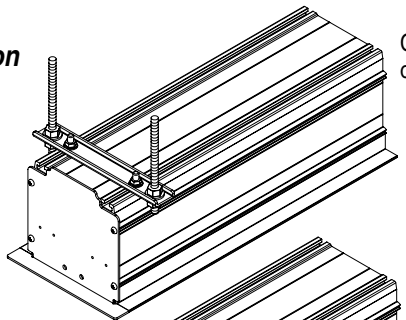
- ① Read instructions through completely before proceeding; keep them for future reference. Follow instructions carefully. Installation contrary to instructions invalidates warranty. Care in mounting and correct operation will mean long and satisfactory service from your Draper screen.
  - ② Allow enough access to remove front cover should fabric become damaged or should other service be required.
  - ③ Screen should be installed level (using a carpenter's level).
  - ④ Nothing should be fastened to screen dowel or viewing surface
  - ⑤ Operating switch(es) is packed separately in screen carton. Do not discard with packing material.
  - ⑥ Screen operates on 220V AC, 50 Hz., 1ph. current.
- NOTE:** Screen has been thoroughly inspected and tested at factory and found to be operating properly prior to shipment.

### Hanging Screen

When locating viewing surface and checking clearance for screen operation, remember surface is centered in the length of the case. Regardless of mounting method used, the following points apply:

- ① Mounting brackets are shipped attached to the case. Engage each bracket with top of housing as shown below and tighten set screws. A bracket should be within 46 cm of each end of screen case. Brackets can be removed and case mounted with lag screws through top of case (holes drilled on site).
- ② Screen should be positively and securely supported so that vibration or even abusive pulling on viewing surface will not weaken installation.
- ③ Installer must insure that fasteners used are of adequate strength and suitable for the mounting surface chosen. Supporting hardware (chains, cables, rods, etc.) must be essentially vertical.
- ④ Entire bottom of case must be readily accessible after installation is complete.

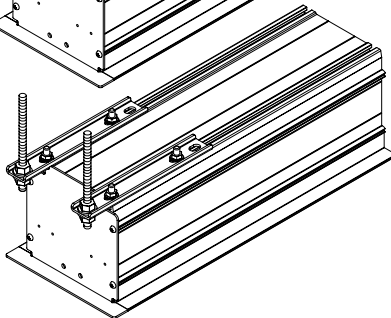
### Typical Installation



Case dimensions on page 3.

Slots along top of case permit brackets to be set at an angle

Alternate Installation (additional set of brackets required but not included)



- ⑤ Front, back and top of case must be straight—not forced to warp or bow.
- ⑥ If case is painted on location, removal of roller/fabric assembly is recommended prior to painting. If not removed, slot on bottom of case should be shielded to protect viewing surface from paint splatters or overspray.
- ⑦ Do not seal unit in ceiling until electrical connections have been made and screen has been operated successfully.

### Electrical Connections

Screen operates on 220V AC, 50 Hz., 1 ph current.

Junction box is located just above the bottom access panel at left end of screen (standard, right end may be specified).

Remove the bottom access panel for access to the junction box cover. (See Bottom Access Panel Removal instructions below). Remove four (4) hex head screws that secure the cover to the junction box to expose the terminal strip per wiring diagram on page 4.

If optional low voltage control or video interface control is specified and factory installed, please refer to wiring diagram on page 3.

Screen is shipped with internal wiring complete and control switch(es) fully boxed. Wire to connect screen to switch(es) and switch(es) to power supply should be furnished by installer. Connections should be made in accordance with attached wiring diagram, and wiring should comply with national and local electrical codes.

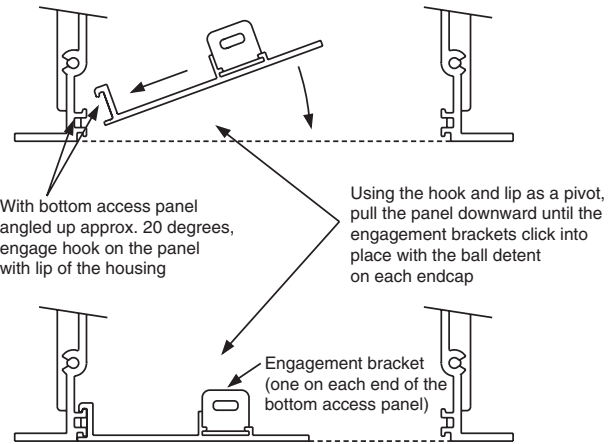
**All operating switches should be "off" before power is connected.**

### Bottom Access Panel Installation/Removal

Bottom access panel hooks over the lower inside edge of the screen housing and then is pivoted downward until the engagement brackets on each end of the bottom panel click into place with the ball detents on each endcap. Make sure bottom access panel clicks in place at each end of its length.

Remove bottom access panel by pushing up at each corner of panel adjacent to slot in bottom of the housing.

With bottom access panel angled up approximately at 20° it can be lifted off of the lip of the housing and then lowered out of the housing completely.

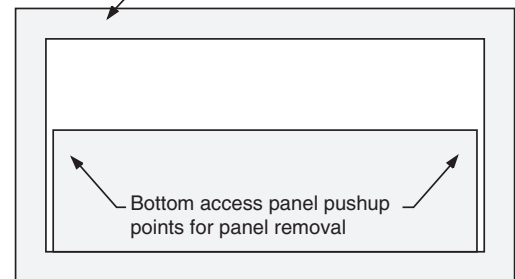


With bottom access panel angled up approx. 20 degrees, engage hook on the panel with lip of the housing

Using the hook and lip as a pivot, pull the panel downward until the engagement brackets click into place with the ball detent on each endcap

Engagement bracket (one on each end of the bottom access panel)

Bottom flange of Access housing



Access case as seen from below

# DRAPER

411 S. Pearl St., Spiceland, IN 47385 USA ■ +1 765-987-7999

www.draperinc.com ■ fax +1 765-987-1689

Copyright © 2008 Draper Inc.

Form Access220V\_Inst08

Printed in U.S.A

If you encounter any difficulties installing or servicing your Access screen, call your dealer or Draper, Inc., in Spiceland, Indiana, 765/987-7999 or fax 765/987-1689.

## Motorized Roller/Fabric Installation

The bottom access panel must be removed first.

The motor end mounting bracket has a metal bracket with snap ring for accepting motor head. Back out the four set screws in bracket until they are flush with top side of bracket.

To engage the motor end bracket flange above the two channels in the top of the screen housing, rotate the bracket approximately 45° counterclockwise to allow the top surface of the motor bracket to rest flat against the top inside of the housing. Rotating the bracket clockwise until it is engaged with the channels, slide it along the length of the housing against the electrical junction box.

Engage the idler end bracket (rectangular mounting pad) in the same manner as the motor end bracket and slide it toward the opposite end of the screen housing. Do not tighten the set screws on this bracket until the roller/fabric assembly is installed, and centered in case.

Locate the black washer and retaining clip attached to the instruction sheet.

**Note: This step requires two people to perform safely.** Raise the roller/fabric assembly up into the screen housing and engage the head of the motor completely into the motor mounting bracket, making sure the snap ring engages with the motor and that the limit switch adjusting knobs are visible from the bottom of the screen housing.

While supporting the idler end of the roller, slide the idler end mounting bracket toward the roller. Insert the roller pin into the nylon bushing on the idler end mounting bracket.

The roller idler pin needs to go through the idler bracket far enough to allow the washer and retaining clip to be reinstalled on the pin.

Failure to replace the washer and retaining clip could result in the separation of the roller from the brackets.

The roller/fabric assembly and roller brackets may need to be slid left or right in the mounting channel of case to center fabric within screen case.

Securely tighten the set screws on roller mounting brackets.

Connect the electrical plug from the motor to the mating socket on the junction box.

Reinstall the bottom access panel as previously described.

## Motorized Roller/Fabric Removal

Reverse the instructions above "Motorized Roller/Fabric Installation" for removal of the unit.

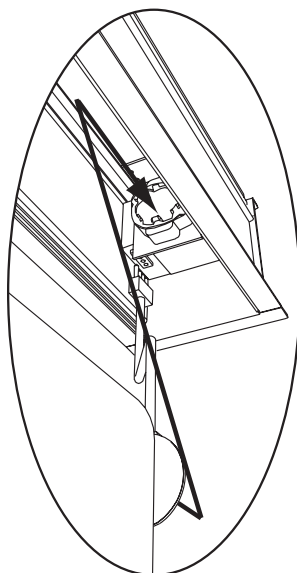
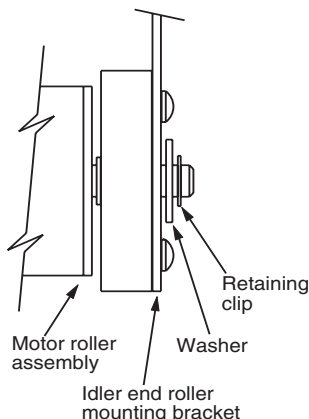
## Operation

When screen is first operated, **be cautious!** Cycle unit down and up several times to confirm satisfactory operation.

**220V SINGLE STATION CONTROL**—3-position UP-OFF-DOWN switch permits operation to be stopped at any point. Factory adjusted limit switches automatically stop screen when fully down or fully up.

**220V MULTIPLE STATION CONTROL**—(Not CE Approved) Switches are similar in appearance to 220V Single Station Control. Screen stops when switch is released and may be restarted in either direction. Factory adjusted limit switches stop screen automatically when fully up or fully down.

**24V CONTROL**—Three-button UP-STOP-DOWN switches stop at any point desired, operate in any sequence. Factory adjusted limit switches automatically stop screen when fully up or fully down. Installer should incorporate an all-pole disconnect in the fixed wiring.



**220V & 12V VIDEO INTERFACE CONTROL**—(Not CE Approved) Allows screen to be controlled by a trigger signal—when the signal comes on, the screen descends automatically. Two versions: Model VIC220 integrates screen operation with a Draper video projector lift or a video projector or tuner with a 220V switched outlet. Model VIC12 interfaces with a 12V switched outlet. Both available with an override switch (VIC-OS), permitting independent operation. VIC-OS not available with factory installed VIC220 & VIC12.

**KEY OPERATED SWITCHING**—(Not CE Approved) Two kinds of key-operated switches are optionally available with this unit.

- ① The key-operated power supply switch controls power to the screen and switches. When it is "off", the switches will not operate screen. Key may be removed from the switch in either "on" or "off" position.
- ② A three-position key switch permits the screen to be operated directly by key. In this case, the screen's operator must always have a key.

**RS232/ETHERNET**—Serial communication and network communication optionally available with wall switches, RF or IR remote.

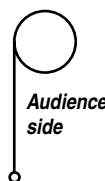
## Adjustments

Screen has been factory set and should not normally require further adjustment. However, if you desire to change the "up" and "down" stopping positions, refer to drawing below and determine whether you need to adjust the white socket or the yellow socket, and proceed as follows:

**CAUTION:** Be sure all switches are in "off" position before adjusting limit switches. Always be prepared to shut screen off manually when new adjustment is being tested. Screen may be severely damaged if viewing surface is allowed to run too far up or too far down.

### Fabric unrolling from back of roller

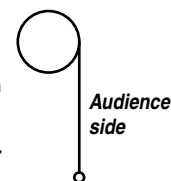
**Left hand motor**  
White Socket—Down  
Yellow Socket—Up



**Right hand motor**  
White Socket—Up  
Yellow Socket—Down

### Fabric unrolling from front of roller

**Left hand motor**  
White Socket—Up  
Yellow Socket—Down



**Right hand motor**  
White Socket—Down  
Yellow Socket—Up

**ADJUSTING WHITE SOCKET**—White socket is located on the motor end of screen roller and is accessible to a small flat screwdriver. Turning the socket counterclockwise will allow the roller to run farther up or down (as appropriate). Turning it clockwise will shorten operation, causing it to stop sooner. One full revolution of the socket will alter the stopping position of the viewing surface by approximately 32 mm.

**ADJUSTING YELLOW SOCKET**—Yellow socket is located on the motor end of screen roller and is accessible to a small flat screwdriver. Turning the socket counterclockwise will allow the roller to run farther up or down (as appropriate). Turning it clockwise will cause the roller to stop sooner. One full revolution of the socket will alter the stopping position of the viewing surface by approximately 32 mm.

AT NO TIME SHOULD VIEWING SURFACE BE UNROLLED ENOUGH TO EXPOSE ANY PART OF SCREEN ROLLER.

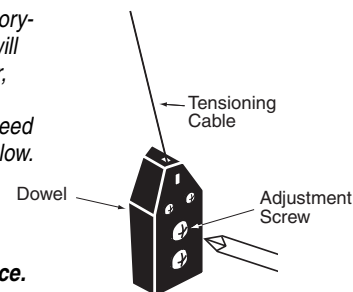
## Tab-Tension Adjustment Procedure for Access/Series V

Draper's Tab-Tensioning System is factory-set, and under normal circumstances will not require field adjustment. If, however, you notice wrinkles, waves, or other indications that the tensioning cables need to be adjusted, follow the procedure below.

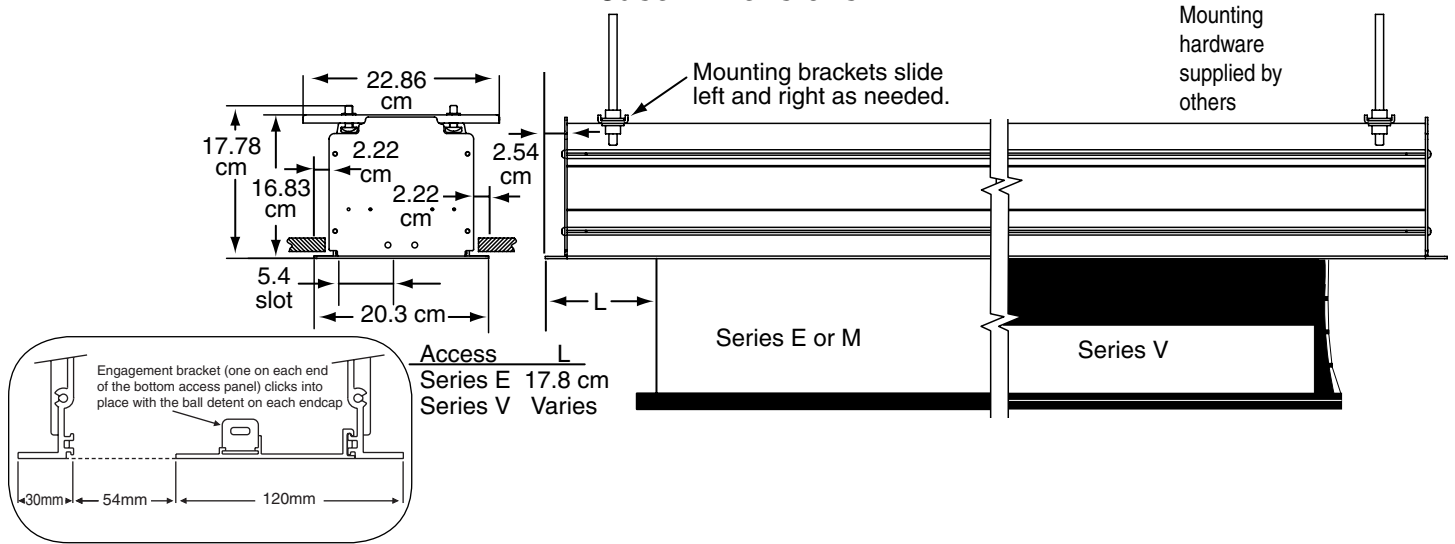
- ① Determine which side requires adjustment.
- ② Secure dowel with one hand.

**Caution: Do not touch or bend surface.**

- ③ Using Philips-head screwdriver, depress spring-loaded adjustment screw (see diagram at right) and slowly turn clockwise to tighten tension, or counterclockwise to loosen tension. The screw adjusts in ¼ turn increments. Adjust only **one increment** (¼ turn) at a time.
- ④ If problem is not corrected, leave screen in position for 24 hours to allow surface material to stretch into position.
- ⑤ If problem still is not corrected, repeat steps 2 and 3.



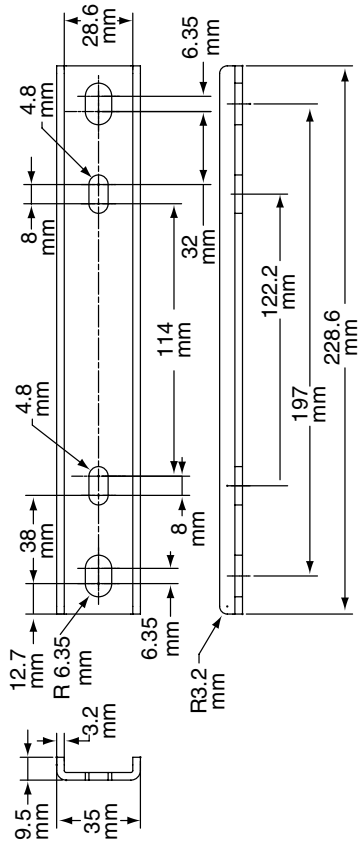
**Case Dimensions**



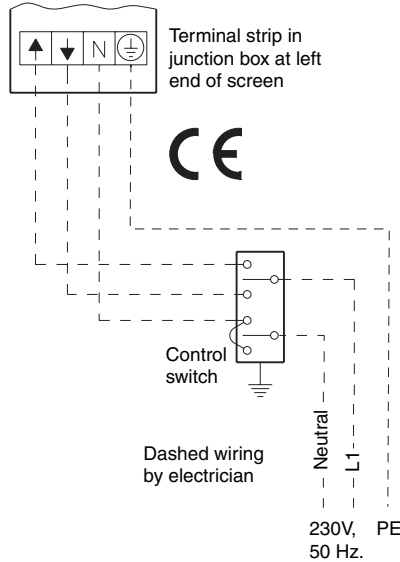
**Wiring Diagrams**

**Mounting Bracket Dimensions**

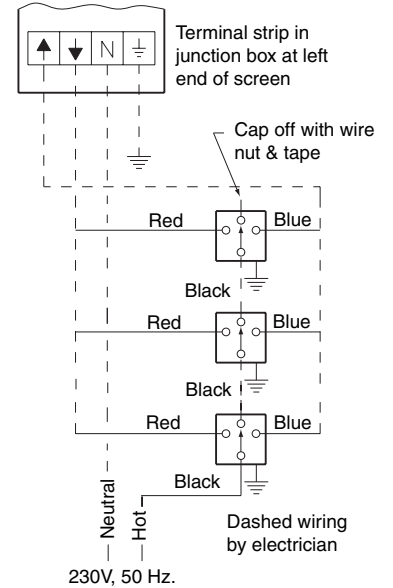
Please Note: Do not wire motors in parallel.



**Single Station Control**  
CE Approved

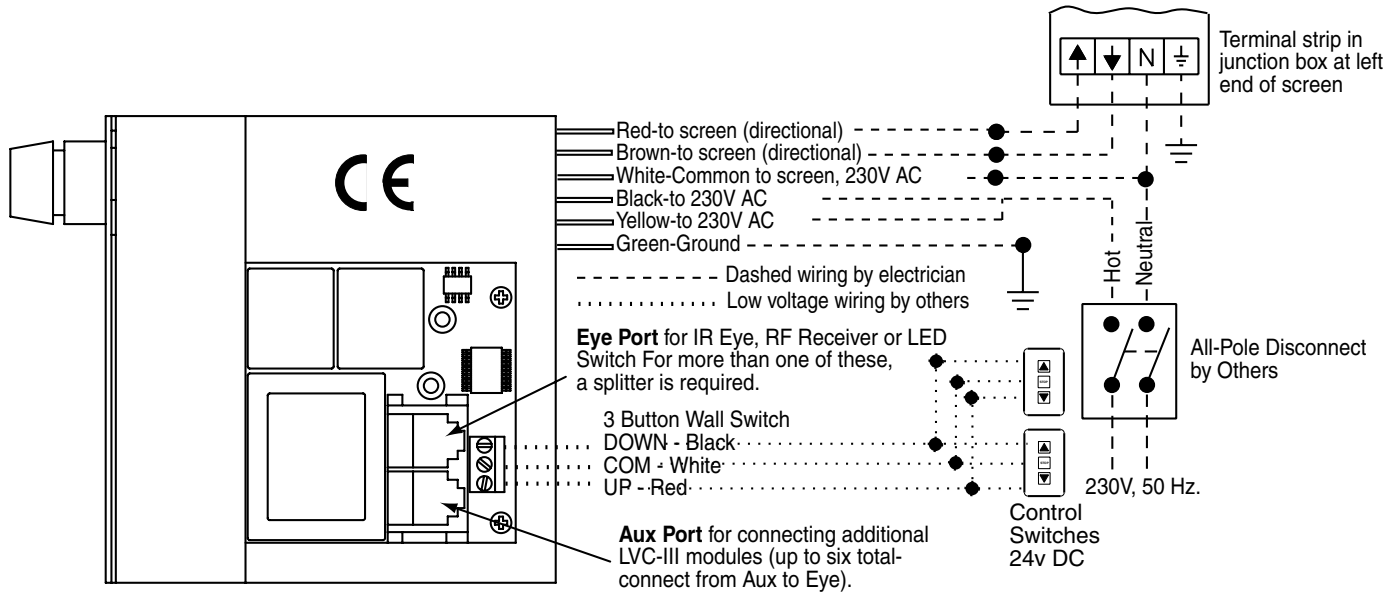


**Multiple Station Control**  
Not CE Approved

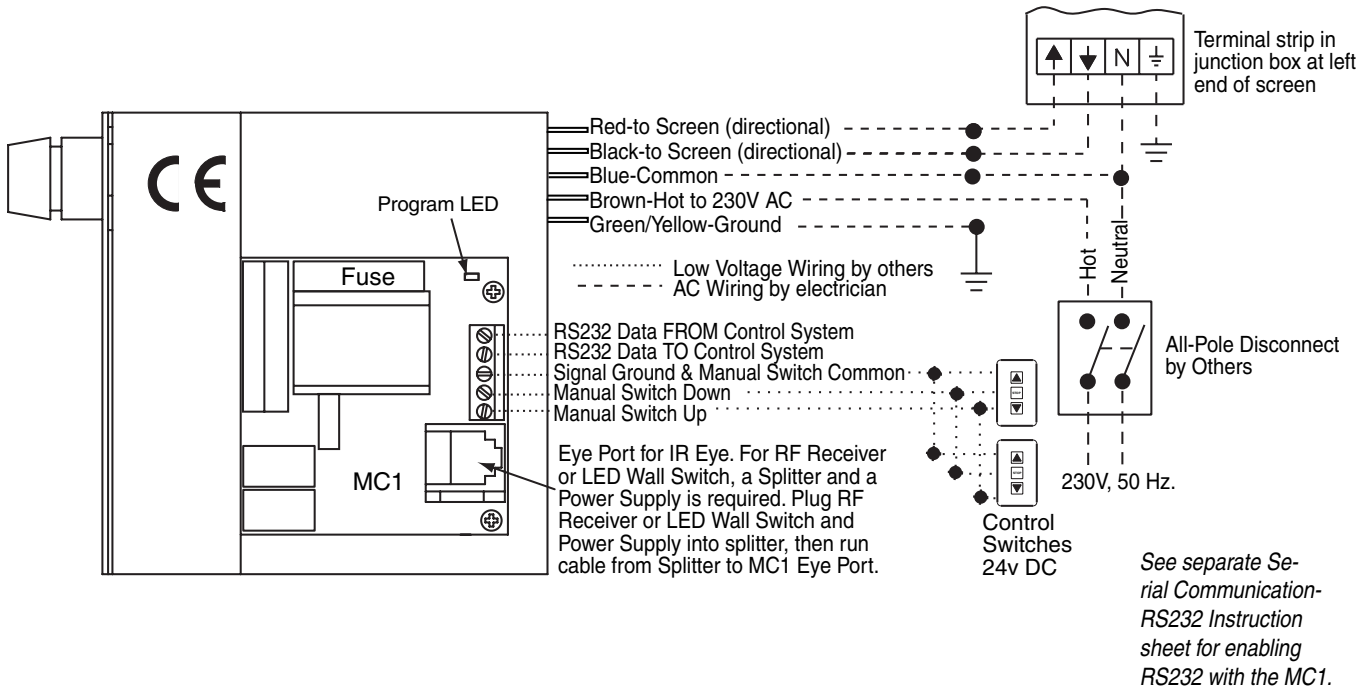


Wiring Diagrams (continued)

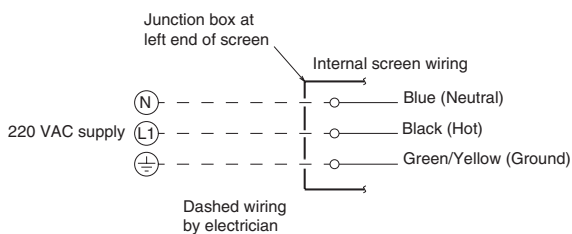
Low Voltage and Remote Control



MC1



Built-in Low Voltage Control



Built-in Video Interface Control

